



Main

Range of product	Harmony iPC
Product or component type	Multi-touch screen
Processor name	Intel Core i3 4010U at 1.7 GHz
Chipset type	Intel QM87
Free slots	1 Internal SATA HDD/SSD 1 CFAST
Display size	15.6 inch
Display colour	16777216 colors
Luminance	300 cd/m ²
Pixel resolution	4096 x 4096
Video controller type	Intel HD Graphics 4400
Operating system	Windows 10 IoT Enterprise 64 bit multi-language
Software package	EcoStruxure secure connect advisor annual subscription cyber security license not included EcoStruxure Operator Terminal Expert run time HMI license not included EcoStruxure Machine SCADA Expert run time HMI/SCADA on configured offer only EcoStruxure augmented operator advisor server augmented operator license not included Vijeo Citect DVD SCADA license not included

Complementary

Number of points	5
Terminal type	Touchscreen display
Memory type	8 GB RAM DDR3 internal
Data storage equipment	256 GB back side SSD 1500000 h mtbf
Aspect ratio	16:9
Display type	LED Colour TFT LCD
Display resolution	1366 x 768 pixels WXGA
Backlight lifespan	50000 hours
View angle horizontal x vertical	150 x 140°
Touch panel	Projected capacitive technology (PCT)
Type of cooling	Fanless Passive

Disclaimer: This documentation is not intended as a substitute for and is not to be used for determining suitability or reliability of these products for specific user applications

Watchdog timer	1...255 ms
Electrical connection	Connector, connector type: SMA, 3 ways
Number of slots	1 mini PCI Express full-size
[Us] rated supply voltage	24 V DC +/- 20 % 100...240 V AC with additional adaptor HMIYPSPMAC1
Power consumption in W	18...60 W
Mechanical robustness	Hardness anti-scratch 7H
Local signalling	Buzzer LED (green) for on LED (orange) for stand-by
Function available	Operate with water on screen
Width	419.7 mm
Height	269 mm
Depth	56.7 mm
Cut-out dimensions	412.4 (+/- 0.7) x 261.7 (+/- 0.4)
Net weight	6 kg
Display size	15" wide multi-touch
Main type	Performance

Environment

IP degree of protection	IP66 front panel:
Product certifications	EAC CE AS/NZS C-Tick CCC RCM
Standards	FCC part 15 class A IEC 61000-6-4 IEC 61000-6-2 CISPR 11 IEC 60950 UL 60950 CSA C22.2 No 60950
Directives	1907/2006/EC - REACH directive 2004/108/EC - electromagnetic compatibility 2012/19/EU - WEEE directive 2011/65/EU - RoHS directive 2006/95/EC - low voltage directive
Pollution degree	2
Ambient air temperature for operation	0...55 °C SSD 0...55 °C Cfast card 0...45 °C HDD 0...45 °C Mini PCIe
Ambient air temperature for storage	-20...60 °C
Relative humidity	10...95 % non-condensing
Operating altitude	2000
Vibration resistance	1 gn (f = 5...500 Hz)HDD 2 gn (f = 5...500 Hz)SSD 2 gn (f = 5...500 Hz)Cfast card

Packing Units

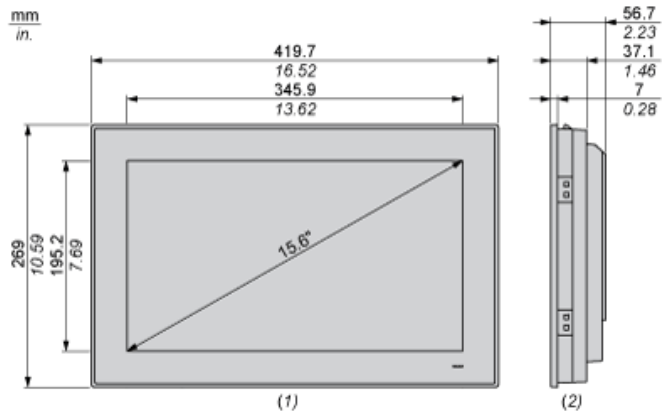
Package 1 Weight	10.000 kg
Package 1 Height	17.500 cm
Package 1 width	54.000 cm
Package 1 Length	70.000 cm

Offer Sustainability

REACH Regulation [REACH Declaration](#)

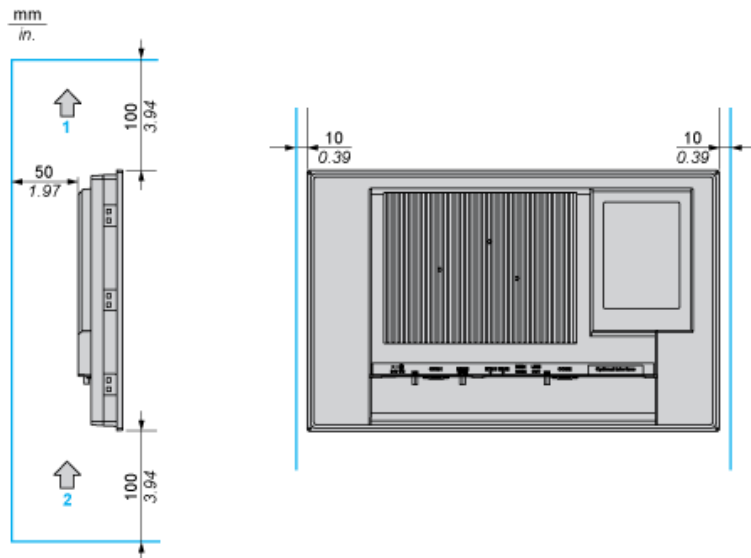
REACH free of SVHC	Yes
EU RoHS Directive	Pro-active compliance (Product out of EU RoHS legal scope) EU RoHS Declaration
Mercury free	Yes
RoHS exemption information	Yes
China RoHS Regulation	China RoHS declaration
WEEE	The product must be disposed on European Union markets following specific waste collection and never end up in rubbish bins

Dimensions



- (1) Front view
- (2) Right view

Spacing Requirements

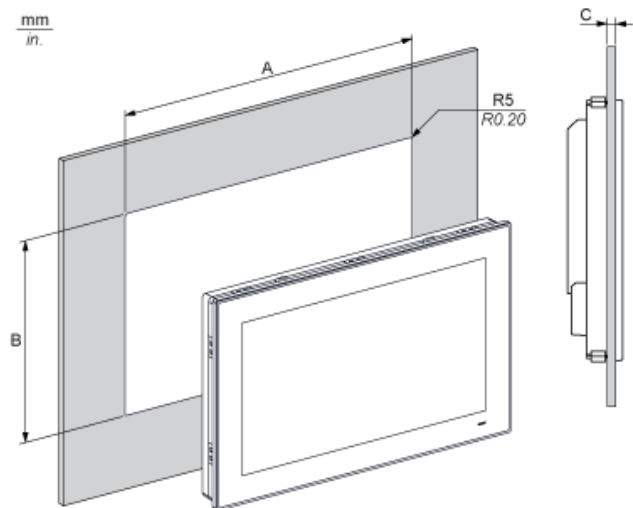


- 1 : Air out
- 2 : Air in

Mounting Orientation



Panel Cut Dimensions



A		B		C		R	
mm	in.	mm	in.	mm	in.	mm	in.
412.4	16.24	261.7	10.30	2...6	0.08...0.23	5	0.20